

8Ft Sliding Door Hardware

(ITEM NO.: 610521 | TIME:20180531)

ASSEMBLY MANUAL

(English)

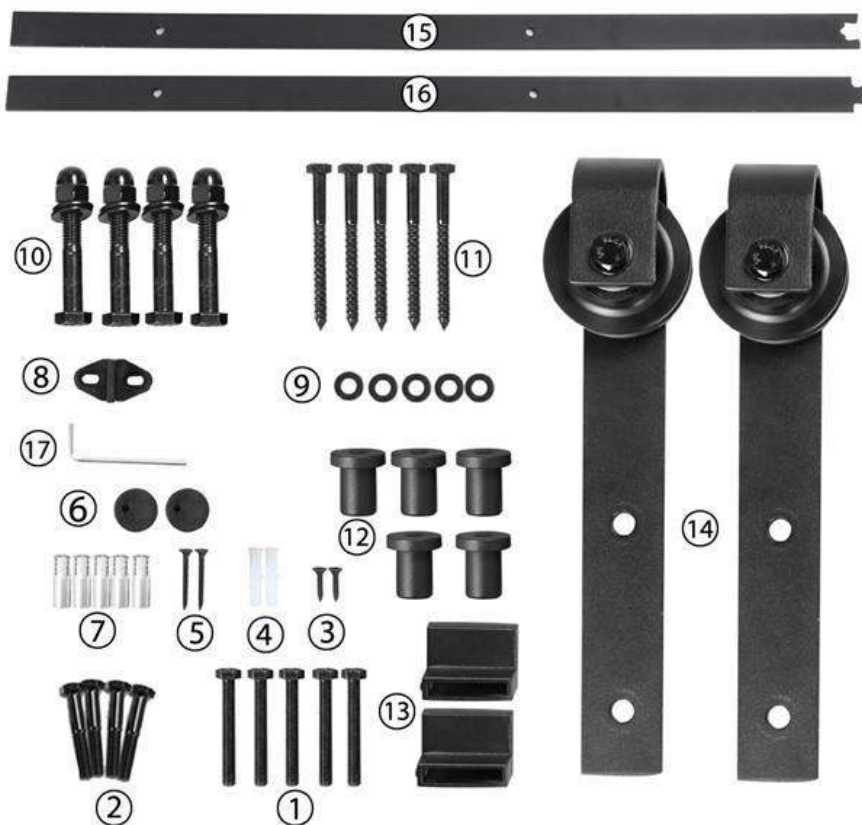


DEAR CUSTOMER:

THANKS FOR BUYING THIS PRODUCT! PLEASE READ THIS ASSEMBLY MANUAL CAREFULLY AND KEEP IT FOR FURTHER REFERENCE.

PACKAGE CONTAINS:

PLEASE VERIFY THAT YOU HAVE ALL THE PARTS LISTED BELOW:



PART LIST TABLE I :



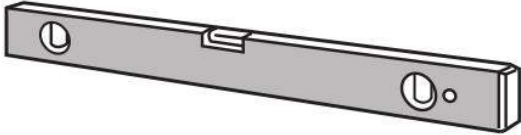
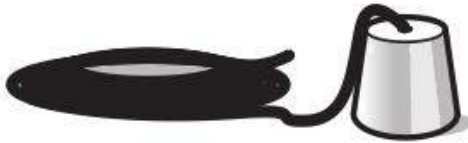


Part No.	Description	Quantity
1	M8 x 60mm($\frac{5}{16}$ " x $2\frac{3}{8}$ ")	5pcs
2	M10 x 55 mm($\frac{3}{8}$ " x $2\frac{3}{16}$ ")	4pcs(bolts for 35~40mm $\frac{3}{8}$ " ~ $1\frac{9}{16}$ "door r)
3	Shorter Screw	2pcs(used with anti-jump block)

PART LIST TABLE II:

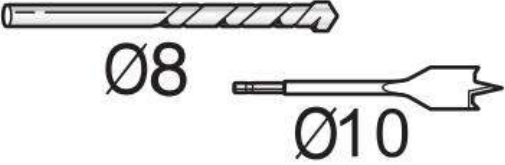
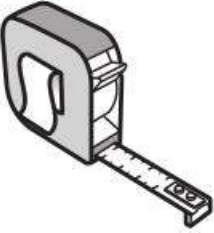
4	Plastic Expansion Bolt	2pcs
5	ST4.2 x 25 mm ($\frac{3}{16}$ " x 1")	2pcs
6	Anti-jump Block	2pcs
7	Metal Expansion Bolt	5pcs
8	Floor Guide	1pc
9	Washer	5pcs
10	M10 x 60 mm ($\frac{3}{8}$ " x $2\frac{3}{8}$ ")	4 sets (bolts for 40~45mm $1\frac{9}{16}$ " x $1\frac{3}{4}$ " door)
11	M8 x 90 mm ($\frac{5}{16}$ " x $3\frac{9}{16}$ ")	5pcs
12	Clip	5pcs
13	Roller Stopper	2pcs
14	Roller	2pcs
15	Sliding Track (Right)	1pc
16	Sliding Track (Left)	1pc
17	Inner Hexagon Spanner	1pc

TOOL REQUIRED (NOT INCLUDED) I:

Prepare tools listed below:

	<p>Pencil for drawing line on the wall and door.</p>
	<p>Phillips Screwdriver for tightening the screw.</p>
	<p>Levelling instrument for keeping line level.</p>
	<p>Plumb line for keeping vertical.</p>
	<p>Hexagon spanner for tightening the nuts to bolts.</p>
	<p>Drill for drilling the hole on the wall and the door board.</p>

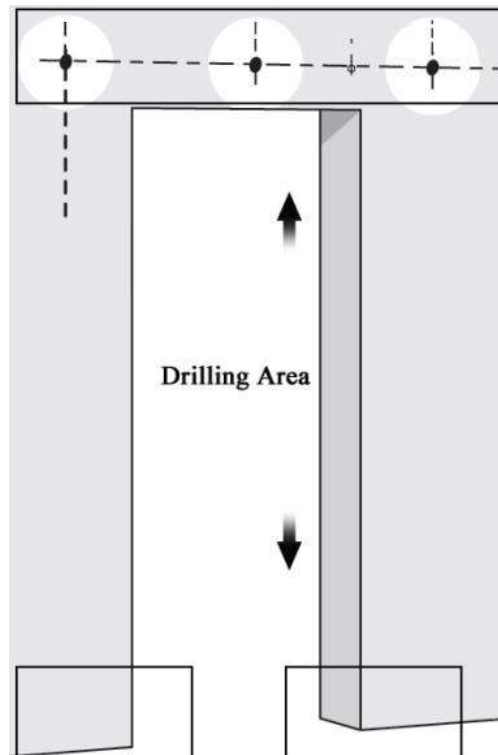
TOOL REQUIRED (NOT INCLUDED) II:

	<p>Drilling bit for drilling the hole on the wall and the door board. (M8 will be used to drill the wall and M 10 will be used to drill door)</p>
	<p>Steel measuring tape for measuring the distance.</p>

BEFORE ASSEMBLY I:

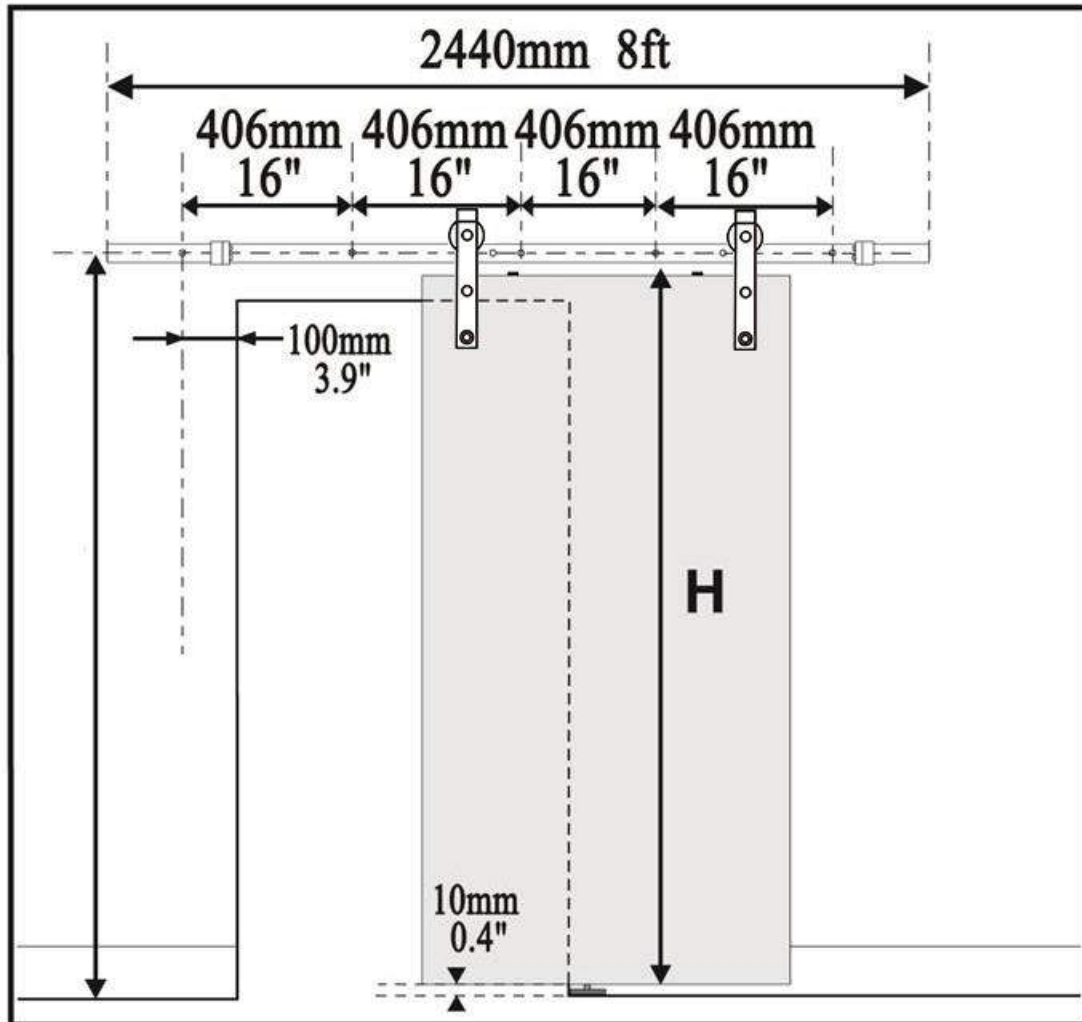
Please check if the drilling area is free for drilling, if not, do not drill holes. Make sure that no wire or other danger in the wall or floor.

Load bearing wall is required when you are going to install the rail. If it does not meet the requirement, please not install it.



BEFORE ASSEMBLY II :

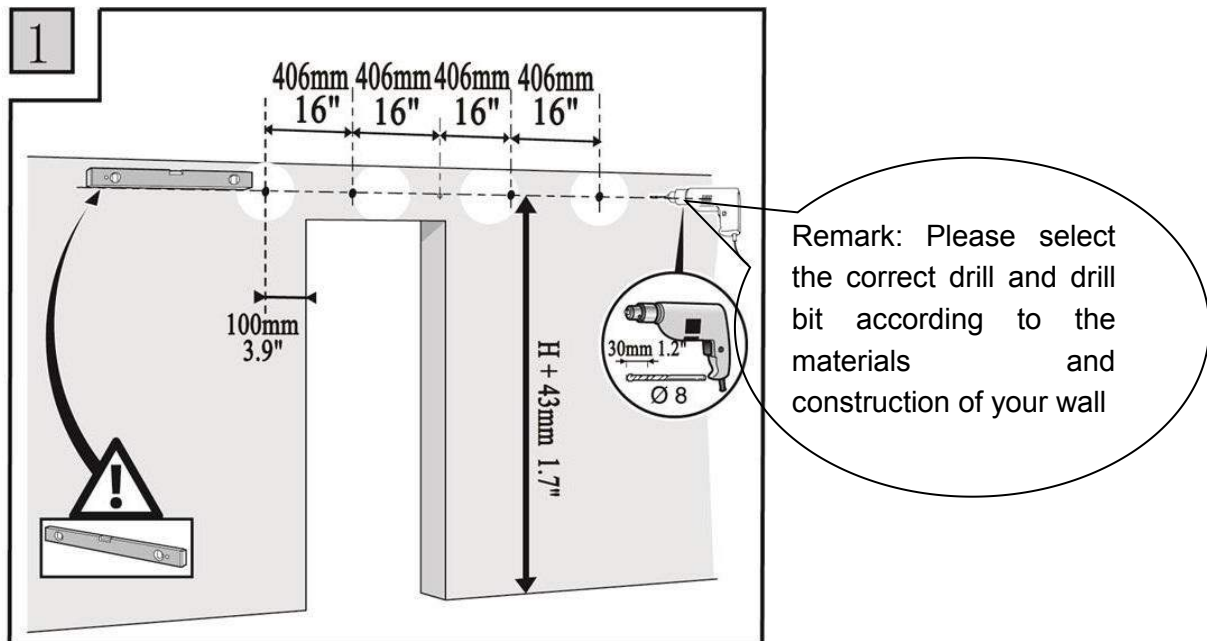
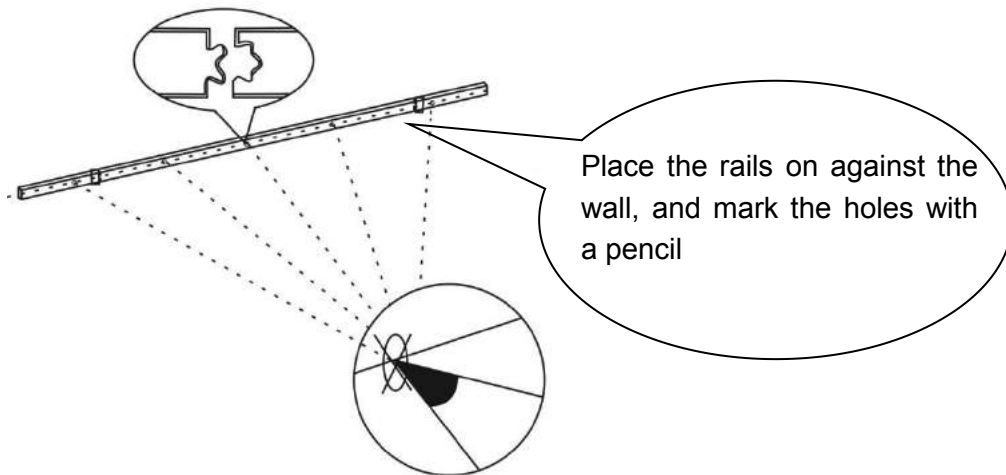
Measuring: before assembly, you should measure the door panel height and check the below figure to see whether your door panel is suitable to your requirement.



ASSEMBLY STEPS:

- 1 Draw line and points on the wall according to below figures.

Drill the hole on the all the points. The depth should be 30 mm ($1\frac{3}{16}$ "), the drill bit diameter should be 8mm ($\frac{5}{16}$ ").

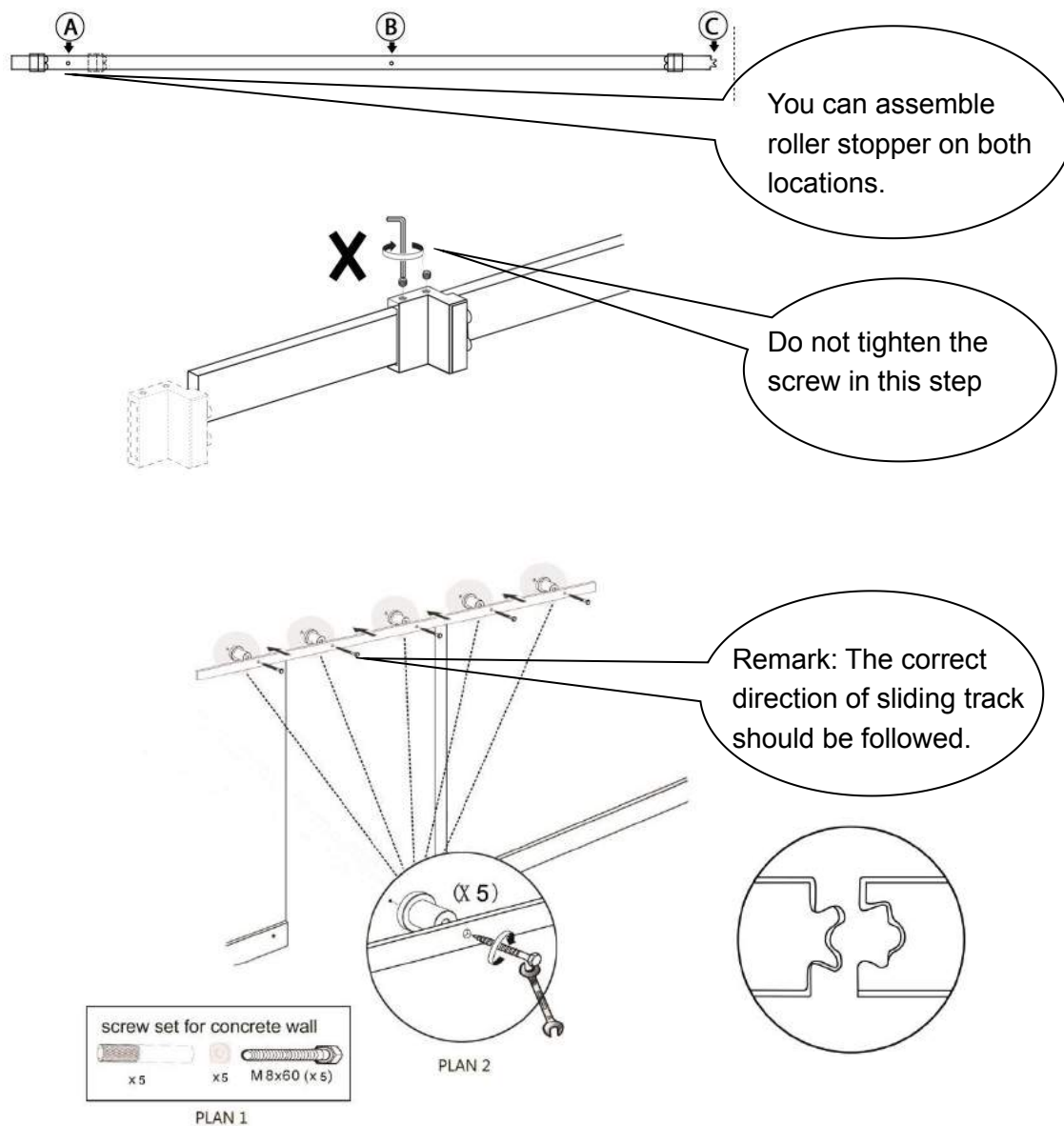


2 Assemble the sliding track(left & right) and shim block with proper screws

You can choose one of below sets according to your wall construction and materials

Plan 1: Set the metal explosion bolt into the wall then tighten the screw into the bolt.(Screw: $\frac{5}{16}$ " x $2\frac{3}{8}$ ")

Plan 2: Tighten the screw into the wall/wall studs directly. (Screw: $\frac{5}{16}$ " x $3\frac{9}{16}$ ")



3 Set the two points on the door board

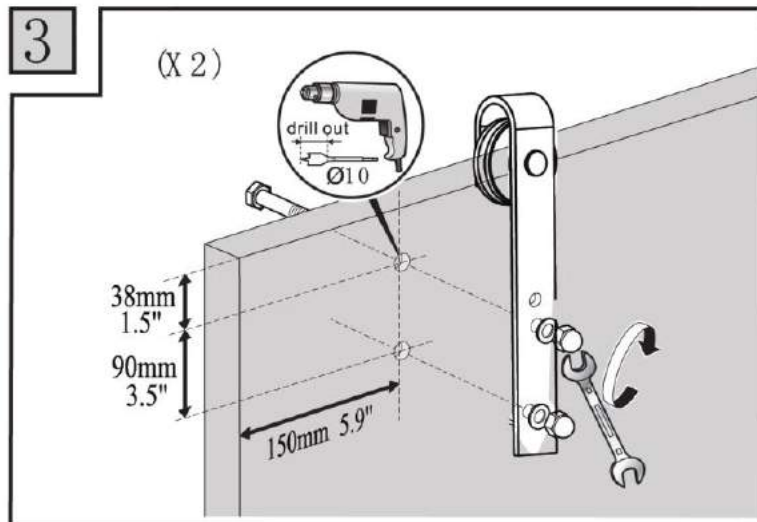
Drill through the door board. The drill bit diameter is 10mm($\frac{3}{8}$ ").

Assemble the roller to the board as shown below. Two sets of screws are provided:

M10 x 55mm ($\frac{3}{8}$ " x $2\frac{3}{16}$ ") — screws for board thickness from
35mm~40mm($1\frac{3}{8}$ "~ $1\frac{9}{16}$ ")

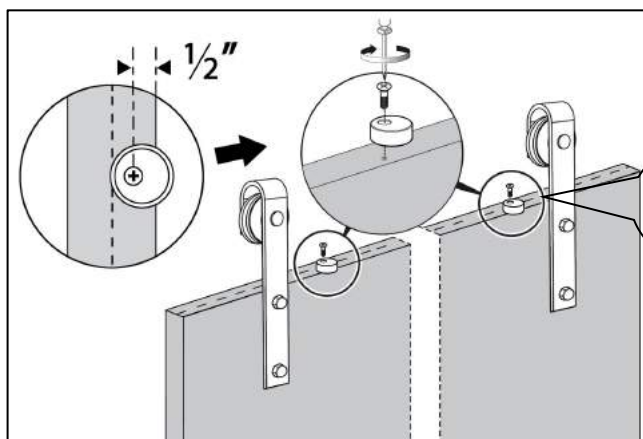
M10 x 60mm($\frac{3}{8}$ " x $2\frac{3}{8}$ ")— screws for board thickness from
40mm~45mm($1\frac{9}{16}$ "~ $1\frac{3}{4}$ ")

Repeat steps above to assemble the other rollers.



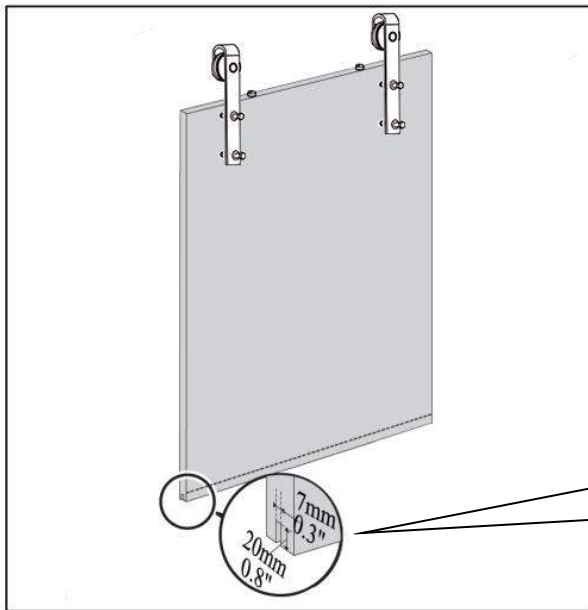
4 Assemble the anti-jump blocks.

Fix screw near the edge of top part of your assembled door panel.

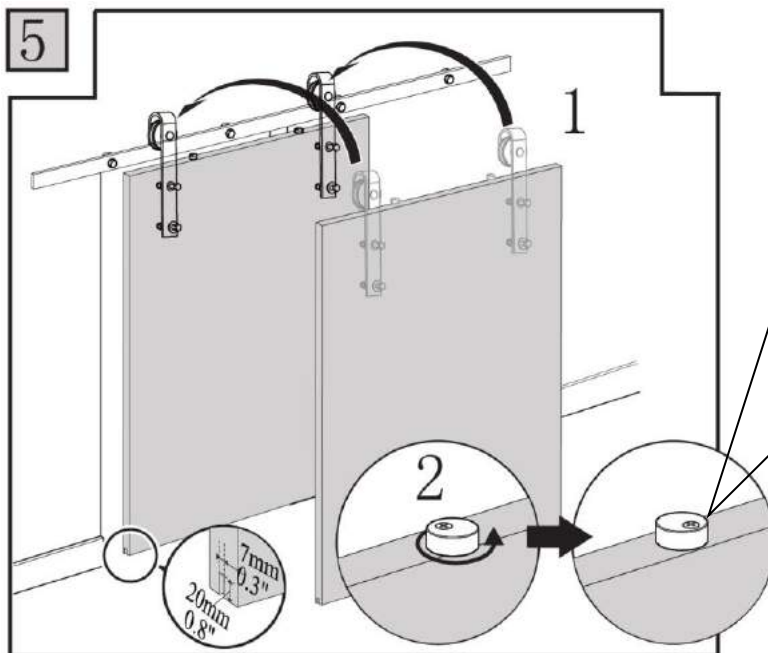


Remark: Do not assemble the screw too tight. You should be able to rotate the block after assembly.

5 Assemble the door board to the sliding track.

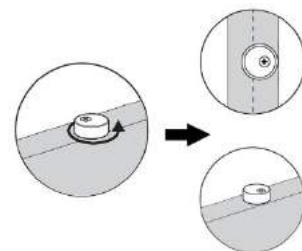


Remark: a pre-drilled groove beneath the door is needed.



Remark:

- 1. Rotate the anti-jump blocks to make sure its most bottom not on the top surface of door panel.*
- 2. Put the roller on the sliding track.*
- 3. Rotate the anti-jump block until its bottom on the top surface of the assembled door panel.*



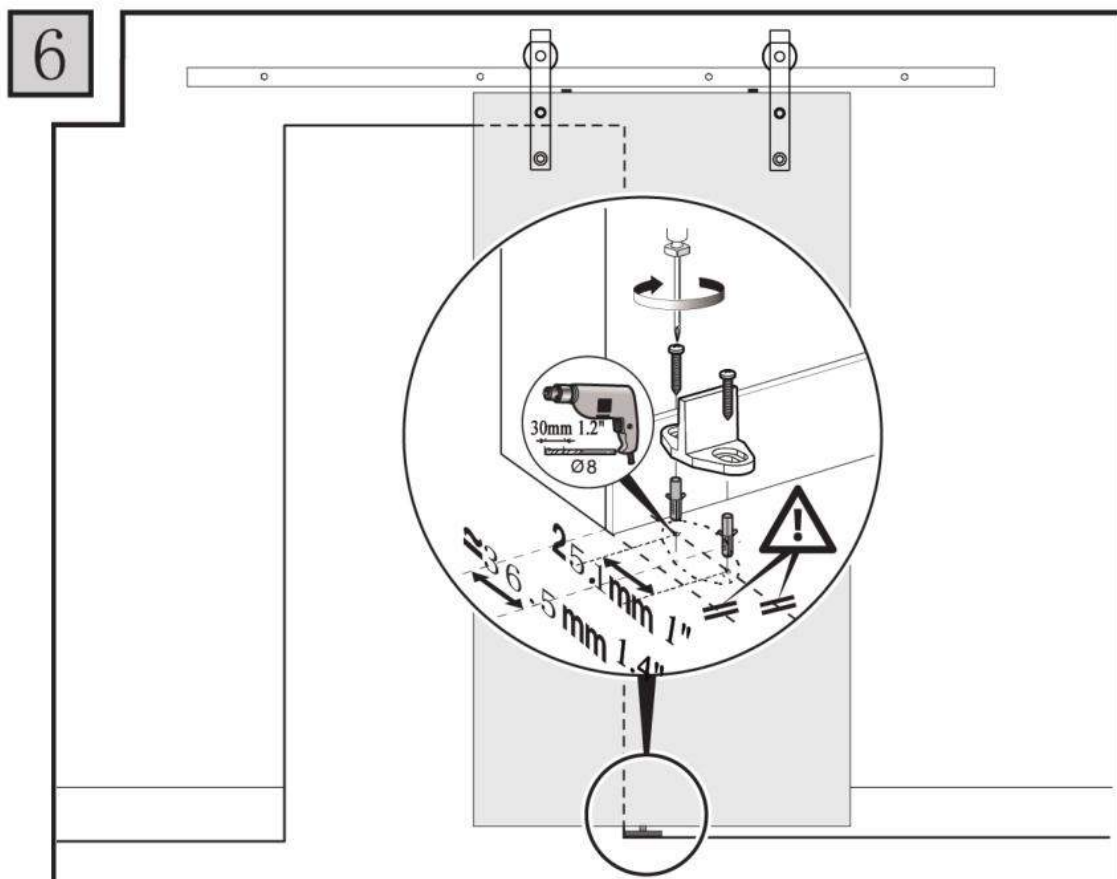
6 Assemble the floor guide:

Floor guide shall be assembled at lower right/left corners as shown;

1. The middle point of floor guide is about 36.5mm ($1\frac{3}{8}$ ") from the wall side (not include the baseboard on the wall).

IMPORTANT! : We recommend that it's better to check the distance with your real door board, the provided data varies according to the door board and the kinds of the wall

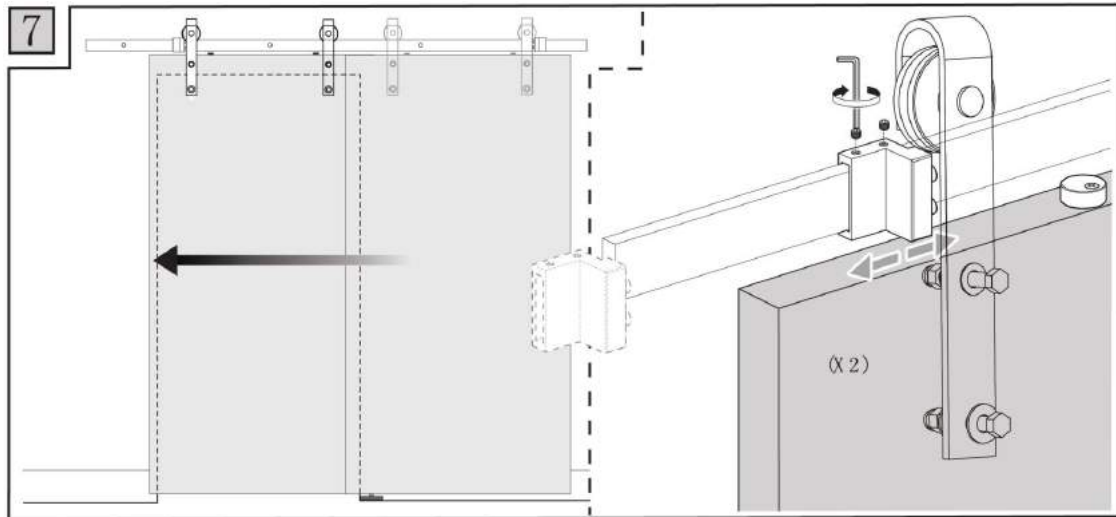
2. Draw the middle point and drilling points of floor guide on the floor;
3. Drill the holes on the floor: the depth of the hole shall be 30mm($1\frac{3}{16}$ "); the diameter of the hole shall be 8mm($\frac{5}{16}$ ");
4. Set the plastic expansion bolt into the holes and assemble the floor guide with screw as shown.



7 Assemble the roller stopper:

Slide the roller stopper into the ends of the sliding track;

Adjust the roller stopper then use inner hexagon spanner to fix roller stopper.



WARNING:

- ENTRAPMENT MAY OCCUR. BE CAREFUL OF FINGERS.
- PERIODICALLY CHECK TO ENSURE THAT ALL THE COMPONENTS ARE IN THEIR PROPER POSITION, FREE FROM DAMAGE, AND THAT ALL CONNECTIONS ARE TIGHT.
- MAXIMUM LOAD: 100KG/220LBS. LIMIT YOUR DOOR BOARD'S WEIGHT TO THIS CAPACITY.
- DO NOT CRASH THE DOOR DURING NORMAL USE.
- HEAVY COMPONENTS SHALL BE LIFTED WHEN ASSEMBLING. 3 PEOPLE AT LEAST ARE REQUIRED FOR THE ASSEMBLY.